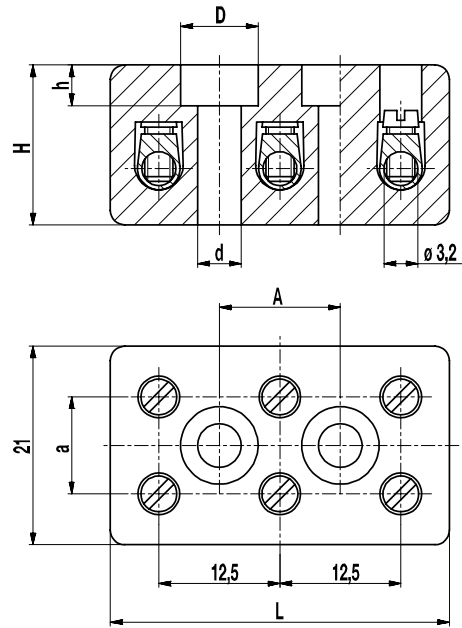


4002-B / 4003-B

Socket terminal blocks with mounting holes



Dimensions (mm)

Type	L	H	A	a	h	D	d
4002-B	24	16,5	—	9	4,5	ø 7,5	ø 4,5
4003-B	36	16	12,5	10	4,2	ø 8	ø 4,3

GENERAL INFORMATION

No. of poles 2 + 3

TECHNICAL DATA

Clamping Range	<i>solid / stranded / AWG</i> 0,75 - 6 mm ² / 0,25 - 2,5 mm ² / 24 - 14 AWG [1]
Rated Cross Section	2,5 mm ²
Wire Stripping Length	6 mm ± 0,5 mm
Rated Insulation Voltage	450 V acc. to EN 60998-1
Torque	0,5 Nm
Base mounting	Recommendation: Screw M4 with matching washer; max. torque 1.5 Nm; use of an elastic & insulating substrate.
Other specifications	Terminal blocks must not be strung together without considering the clearance and creepage distances.

MATERIAL

Moulding	Technical ceramics
Comparative Tracking Index	CTI ≥ 600
Insulating Group	I
Temperature Range	-40°C up to 250°C
Terminal body	Nickel plated brass
Screw	M3; Zinc plated steel, blue passivated

[1] The clamping range for flexible and AWG conductors was determined using ferrules. Use of flexible conductors without ferrules is not recommended.

CONFIGURATIONS

Item	Article number	PU
4002-B	10.610.006	160
4003-B	10.610.007	126